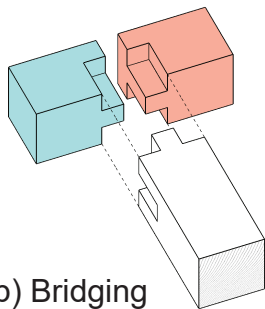
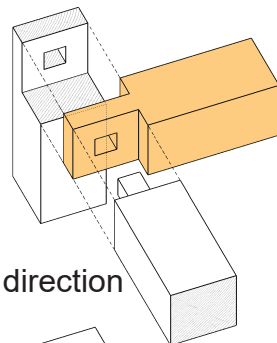


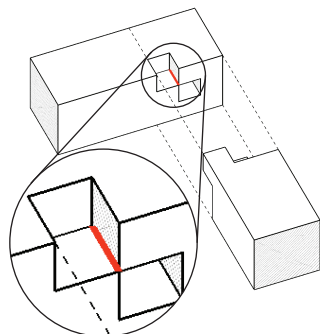
a) Connectivity



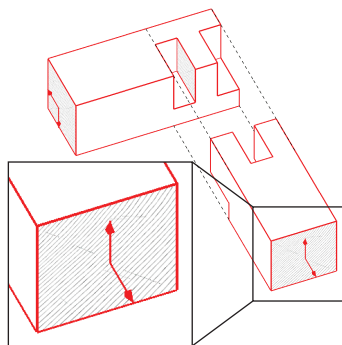
b) Bridging



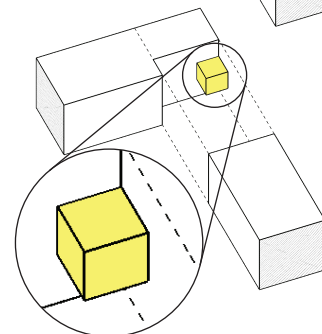
c) Milling direction



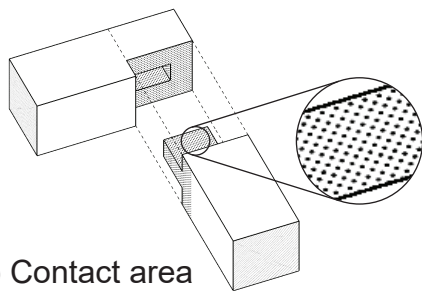
d) Checkerboard



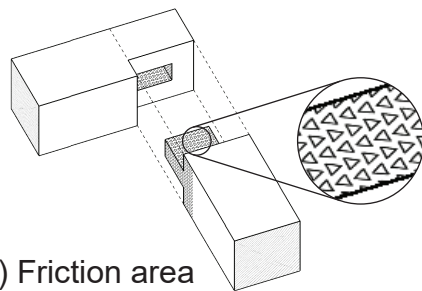
e) Slidability



f) Durability



g) Contact area



h) Friction area